

Normally Closed



Specifications

Model Number (220VAC)		C o n n e c t i o n	O r i f i c e mm	C V V a l u e	M i n .	Operation ΔP (bar)						M a x · T e m p · °C	C o i l T y p e	Power		C o i l C l a s s	W e i g h t KG		
						Max.								VA	W				
Body Material						Air		Water		Oil ≤20CST				AC	DC				
						AC	DC	AC	DC	AC	DC			220V	24V				
Brass	SS																		
ZX101WF01N1A2.5	ZX101WF01N2A2.5	1/8"	2.5	0.23	0	7	5	7	5	7	5	80	W	13	8.5	F	0.35		
ZX101WF01V1A2.5	ZX101WF01V2A2.5		2.5	0.23	0	7	5	7	5				120	W	13	8.5	F	0.35	
ZX101WF01E1A2.5	ZX101WF01E2A2.5		2.5	0.23	0	7	5	7	5	7	5		120	W	13	8.5	F	0.35	
ZX101WF01N1A3	ZX101WF01N2A3		(W05 Only)	3	0.3	0	5	4	5	4	5	4	80	W	13	8.5	F	0.35	
ZX101WF01V1A3	ZX101WF01V2A3			3	0.3	0	5	4	5	4				120	W	13	8.5	F	0.35
ZX101WF01E1A3	ZX101WF01E2A3			3	0.3	0	5	4	5	4	5	4		120	W	13	8.5	F	0.35
ZX101DF01N1A5	ZX101DF01N2A5	1/8"	5	0.65	0	6	4	6	4	4	3	80	D	33	20	F	0.35		
ZX101DF01V1A5	ZX101DF01V2A5		5	0.65	0	6	4	6	4				120	D	33	20	F	0.46	
ZX101DF01E1A5	ZX101DF01E2A5		5	0.65	0	6	4	6	4	4	3		120	D	33	20	F	0.46	
ZX101DF01N1A6	ZX101DF01N2A6		6	0.8	0	4	2.5	4	2.5	3	2.5		80	D	33	20	F	0.46	
ZX101DF01V1A6	ZX101DF01V2A6		6	0.8	0	4	2.5	4	2.5				120	D	33	20	F	0.46	
ZX101DF01E1A6	ZX101DF01E2A7.5		6	0.8	0	4	2.5	4	2.5	3	2.5		120	D	33	20	F	0.46	
ZX101DF01N1A6	ZX101DF01N2A7.5		7.5	1.0	0	1.5	1	1.5	1	1.5	1		80	D	33	20	F	0.46	
ZX101DF01V1A6	ZX101DF01V2A7.5		7.5	1.0	0	1.5	1	1.5	1				120	D	33	20	F	0.45	
ZX101DF01E1A6	ZX101DF01E2A7.5		7.5	1.0	0	1.5	1	1.5	1	1.5	1		120	D	33	20	F	0.45	
ZX101WF01N1B2.5	ZX101WF01N2B2.5	1/4"	2.5	0.23	0	7	5	7	5	7	5	80	W	13	8.5	F	0.45		
ZX101WF01V1B2.5	ZX101WF01V2B2.5		2.5	0.23	0	7	5	7	5				120	W	13	8.5	F	0.34	
ZX101WF01E1B2.5	ZX101WF01E2B2.5		2.5	0.23	0	7	5	7	5	7	5		120	W	13	8.5	F	0.34	
ZX101WF01N1B3	ZX101WF01N2B3		(W05 Only)	3	0.3	0	5	4	5	4	5	4	80	W	13	8.5	F	0.34	
ZX101WF01V1B3	ZX101WF01V2B3			3	0.3	0	5	4	5	4				120	W	13	8.5	F	0.34
ZX101WF01E1B3	ZX101WF01E2B3			3	0.3	0	5	4	5	4	5	4		120	W	13	8.5	F	0.34
ZX101DF01N1B5	ZX101DF01N2B5	1/4"	5	0.65	0	6	4	6	4	4	3	80	D	33	20	F	0.34		
ZX101DF01V1B5	ZX101DF01V2B5		5	0.65	0	6	4	6	4				120	D	33	20	F	0.45	
ZX101DF01E1B5	ZX101DF01E2B5		5	0.65	0	6	4	6	4	4	3		120	D	33	20	F	0.45	
ZX101DF01N1B6	ZX101DF01N2B6		6	0.8	0	4	2.5	4	2.5	3	2.5		80	D	33	20	F	0.45	
ZX101DF01V1B6	ZX101DF01V2B6		6	0.8	0	4	2.5	4	2.5				120	D	33	20	F	0.45	
ZX101DF01E1B6	ZX101DF01E2B7.5		6	0.8	0	4	2.5	4	2.5	3	2.5		120	D	33	20	F	0.45	
ZX101DF01N1B6	ZX101DF01N2B7.5		7.5	1.0	0	1.5	1	1.5	1	1.5	1		80	D	33	20	F	0.44	
ZX101DF01V1B6	ZX101DF01V2B7.5		7.5	1.0	0	1.5	1	1.5	1				120	D	33	20	F	0.44	
ZX101DF01E1B6	ZX101DF01E2B7.5		7.5	1.0	0	1.5	1	1.5	1	1.5	1		120	D	33	20	F	0.44	

Features

- Pilot designed, low power, high pressure;
- With IP65 coils, forged brass body;

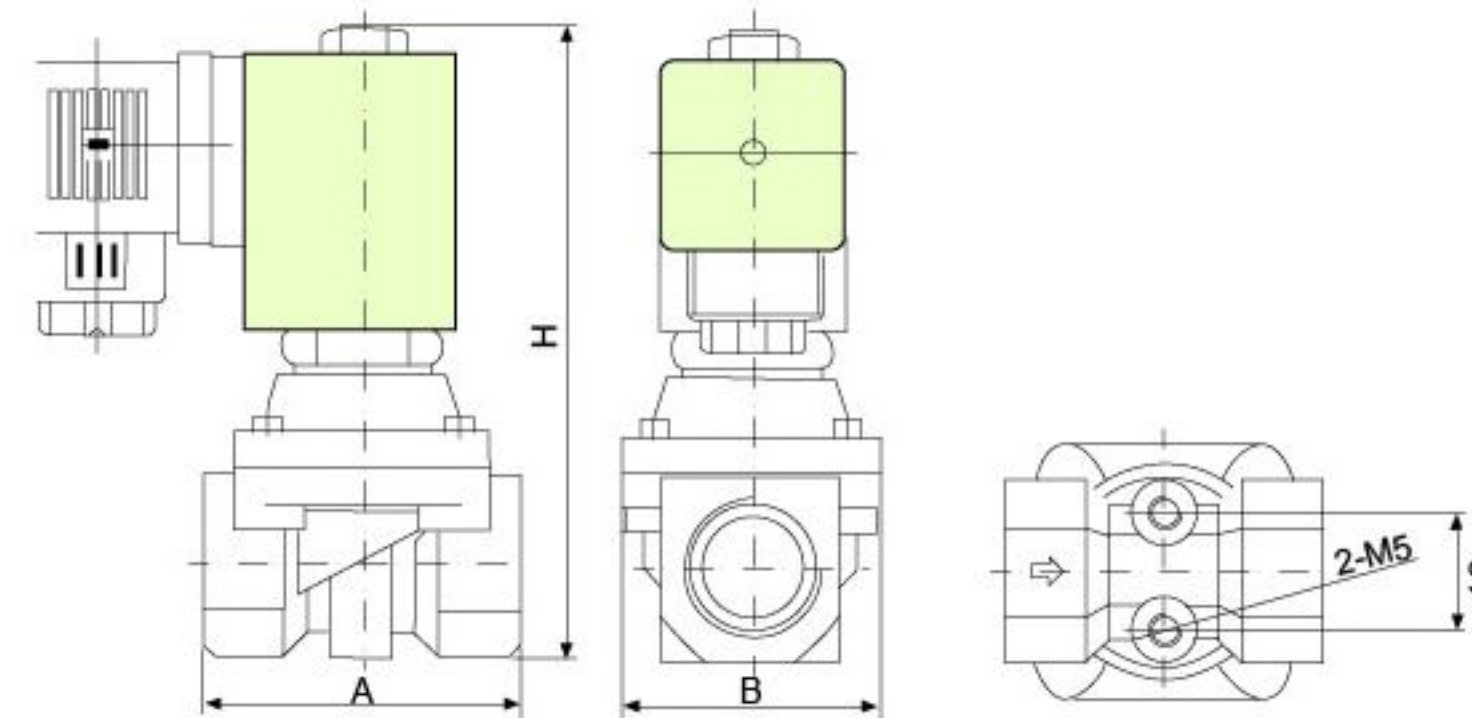
Media: water, hot water, air, oil<20CST etc.;

Temperature: NBR:-5~80°C

EPDM:-10~130°C

VITON:-10~150°C

Pressure: 0~20 bar



Specifications

Model Number (220VAC)		Connection	Orifice mm	CV Value	Operation ΔP (bar)						Max. Temp. °C	Coil Type	Power		Coil Class	Size AxBxH	Weight KG	
					Max.			AC	DC	AC			DC	VA 220V				W 24V
Body Material		Min.	Air	Water	Oil ≤20CST	AC	DC				AC	DC			°C	Type	VA 220V	
Brass	SS																	
ZX101DF01N1B10	ZX101DF01N2B10	1/4"	10	1.9	0	20	16	20	16	20	16	80	W	22	13	F	50X40.5X98	0.55
ZX101DF01V1B10	ZX101DF01V2B10		10	1.9	0	20	16	20	16			120	D	22	13	F	50X40.5X98	0.55
ZX101DF01E1B10	ZX101DF01E2B10		10	1.9	0	20	16	20	16	20	16	120	D	22	13	F	50X40.5X98	0.55
ZX101DF01N1C10	ZX101DF01N2C10	3/8"	10	2.4	0	20	16	20	16	20	16	80	D	22	13	F	50X40.5X98	0.54
ZX101DF01V1C10	ZX101DF01V2C10		10	2.4	0	20	16	20	16			120	D	22	13	F	50X40.5X98	0.54
ZX101DF01E1C10	ZX101DF01E2C10		10	2.4	0	20	16	20	16	20	16	120	D	22	13	F	50X40.5X98	0.54
ZX101DF01N1C13	ZX101DF01N2C13		13	3.1	0	16	12	16	12	16	12	80	W	22	13	F	55X43X98	0.56
ZX101DF01V1C13	ZX101DF01V2C13	13	3.1	0	16	12	16	12			120	D	22	13	F	55X43X98	0.56	
ZX101DF01E1C13	ZX101DF01E2C13	13	3.1	0	16	12	16	12	16	12	120	D	22	13	F	55X43X98	0.56	
ZX101DF01N1D10	ZX101DF01N2D10	1/2"	10	2.4	0	20	16	20	16	20	16	80	D	22	13	F	50X40.5X98	0.53
ZX101DF01V1D10	ZX101DF01V2D10		10	2.4	0	20	16	20	16			120	D	22	13	F	50X40.5X98	0.53
ZX101DF01E1D10	ZX101DF01E2D10		10	2.4	0	20	16	20	16	20	16	120	D	22	13	F	50X40.5X98	0.53
ZX101DF01N1D13	ZX101DF01N2D13		13	3.1	0	16	12	16	12	16	12	80	W	22	13	F	55X43X98	0.55
ZX101DF01V1D13	ZX101DF01V2D13		13	3.1	0	16	12	16	12			120	D	22	13	F	55X43X98	0.55
ZX101DF01E1D13	ZX101DF01E2D13		13	3.1	0	16	12	16	12	16	12	120	D	22	13	F	55X43X98	0.55